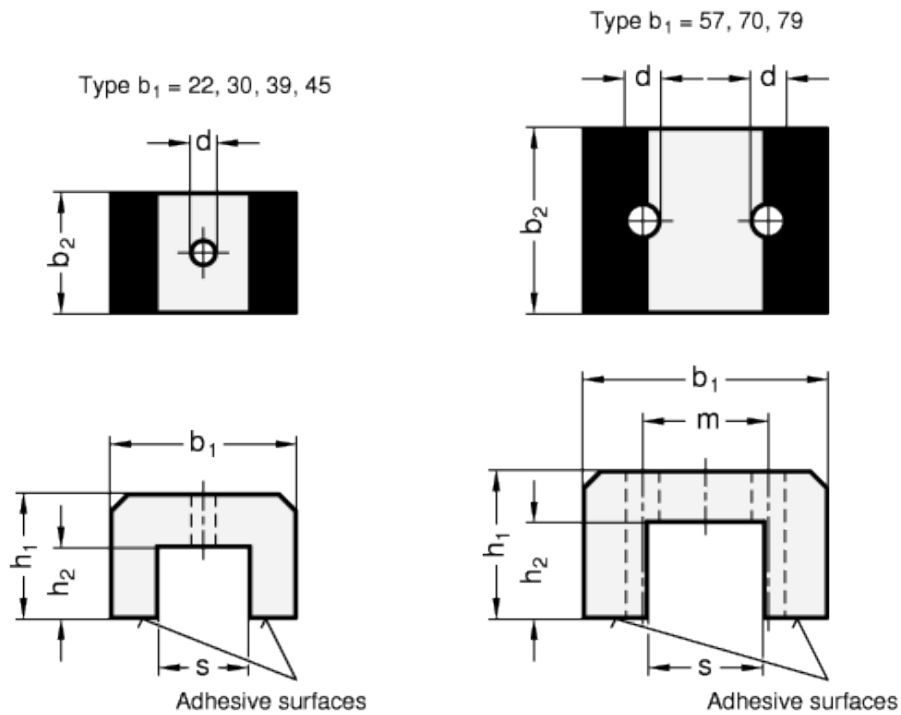
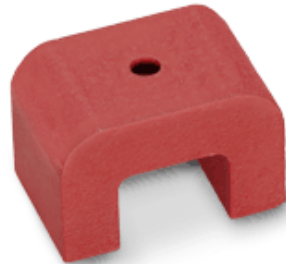


GN 62

U-Magnets



technical informations

Material of the magnet

Aluminium, nickel, cobalt AlNiCo AN, temperature resistant up to 350°C
Lacquering red, temperature resistant up to 180°C

Features and applications

The U-magnets GN 62 have a split adhesive surface. These are non-shielded magnetic systems made by casting method.

To ensure that the magnetic properties (adhesive forces) are not impaired, the fixing screws must be made of non-magnetic material (magnetically non-conductive).

For easier handling and/or to avoid demagnetisation, these magnets have an iron plate on their adhesive surface.

Standard Elements	Main dimensions							Nominal adhesive forces	Weight
Description	b ₁	b ₂	d	h ₁	h ₂	m	s	in N	g
GN 62-AN-22	22	25	7	17	9	-	8	30	64
GN 62-AN-30	30	20	5	20	11	-	15	45	69
GN 62-AN-39	39	25.4	4.7	25	14	-	19	90	151
GN 62-AN-45	45	30	4.7	30	17	-	23	120	209
GN 62-AN-57	57	44.5	8	35	23	31.5	27.8	180	498
GN 62-AN-70	70	57	8	41	25	38	35	320	770
GN 62-AN-79	79	82	9.5	54	36	43	38.5	470	1570



STANDARD MACHINE ELEMENTS WORLDWIDE